



BFK1210A230

Contactor for power factor correction with AC control circuit, including limiting resistors, maximum IEC operational power 400V = 12.5KVAR, coil 230VAC 50/60Hz

Product designation

Power contactor

Product type designation

BFK12

Contact characteristics

Number of poles		Nr.	3
Rated insulation voltage U_i IEC/EN		V	690
Rated impulse withstand voltage U_{imp}		kV	6
Operational frequency	min	Hz	25
	max	Hz	400
IEC Conventional free air thermal current I_{th}		A	28
Rated operational power AC-6b ($T \leq 40^\circ C$)	230V	kvar	7
	400V	kvar	12.5
	440...480V	kvar	14
	690V	kvar	16
Short-time allowable current for 10s (IEC/EN60947-1)		A	150
Protection fuse		gG (IEC)	A
			25
Making capacity (RMS value)		A	120
Breaking capacity at voltage	440V	A	96
	500V	A	96
	690V	A	94
Resistance per pole (average value)		m Ω	2.5
Power dissipation per pole (average value)		I_{th}	W
			2
Tightening torque for terminals	min	Nm	1.5
	max	Nm	1.8
	min	I_{bin}	1.1
	max	I_{bin}	1.5
Tightening torque for coil terminal	min	Nm	0.8
	max	Nm	1
	min	I_{bin}	Prodotti finiti
	max	I_{bin}	Prodotti finiti
Max number of wires simultaneously connectable		Nr.	2
Conductor section	Flexible w/o lug conductor section		
	min	mm ²	1
	max	mm ²	6
Flexible c/w lug conductor section			
	min	mm ²	1
	max	mm ²	4
Flexible with insulated spade lug conductor section			

BFK1210A230

Contactors for power factor correction with AC control circuit, including limiting resistors, maximum IEC operational power 400V = 12.5KVAR, coil 230VAC 50/60Hz

	min	mm ²	1
	max	mm ²	4
Power terminal protection according to IEC/EN 60529			IP20 when wired
Mechanical features			
Operating position	normal allowable		Vertical plan ±30°
Fixing			Screw / DIN rail 35mm
Weight		g	418
Auxiliary contact characteristics			
Type of contact			1NO
Thermal current I _{th}		A	10
IEC/EN 60947-5-1 designation			A600 - P600
Operating current AC15	230V	A	3
	400V	A	1.9
	500V	A	1.4
Operating current DC12	110V	A	5.7
Operating current DC13	24V	A	5.7
	48V	A	2.9
	60V	A	2.3
	110V	A	1.25
	125V	A	1.1
	220V	A	0.6
	600V	A	0.1
Operations			
Mechanical life		cycles	20000000
Electrical life		cycles	400000
Safety related data			
Performance level B10d according to EN/ISO 13489-1	rated load	cycles	400000
	mechanical load	cycles	20000000
Mirror contacts according to IEC/EN 60947-4-1			YES
EMC compatibility			Yes
AC coil operating			
Rated AC voltage at 50/60Hz		V	230
AC operating voltage of 50/60Hz coil powered at 50Hz	pick-up	min	%Us 80
		max	%Us 110
drop-out	min	%Us 20	
	max	%Us 55	
of 50/60Hz coil powered at 60Hz	pick-up	min	%Us 85
		max	%Us 110
drop-out	min	%Us 20	
	max	%Us 55	

BFK1210A230

Contactors for power factor correction with AC control circuit, including limiting resistors, maximum IEC operational power 400V = 12.5KVAR, coil 230VAC 50/60Hz

AC average coil consumption at 20°C

of 50/60Hz coil powered at 50Hz

in-rush	VA	75
holding	VA	9

of 50/60Hz coil powered at 60Hz

in-rush	VA	70
holding	VA	6.5

of 60Hz coil powered at 60Hz

in-rush	VA	75
holding	VA	9

Dissipation at holding $\leq 20^{\circ}\text{C}$ 50Hz

W	2.5
---	-----

Max cycles frequency

Mechanical operation

cycles/h	3600
----------	------

Operating times

Average time for U_s control

in AC

Closing NO

min	ms	8
max	ms	24

Opening NO

min	ms	10
max	ms	20

Closing NC

min	ms	14
max	ms	28

UL technical data

General USE

Contactors

AC current	A	28
------------	---	----

Auxiliary contacts

AC voltage	V	600
AC current	A	10
DC voltage	V	250
DC current	A	1

Contact rating of auxiliary contacts according to UL

A600 - P600

Ambient conditions

Temperature

Operating temperature

min	°C	-50
max	°C	70

Storage temperature

min	°C	-60
max	°C	80

Max altitude

m	3000
---	------

Resistance & Protection

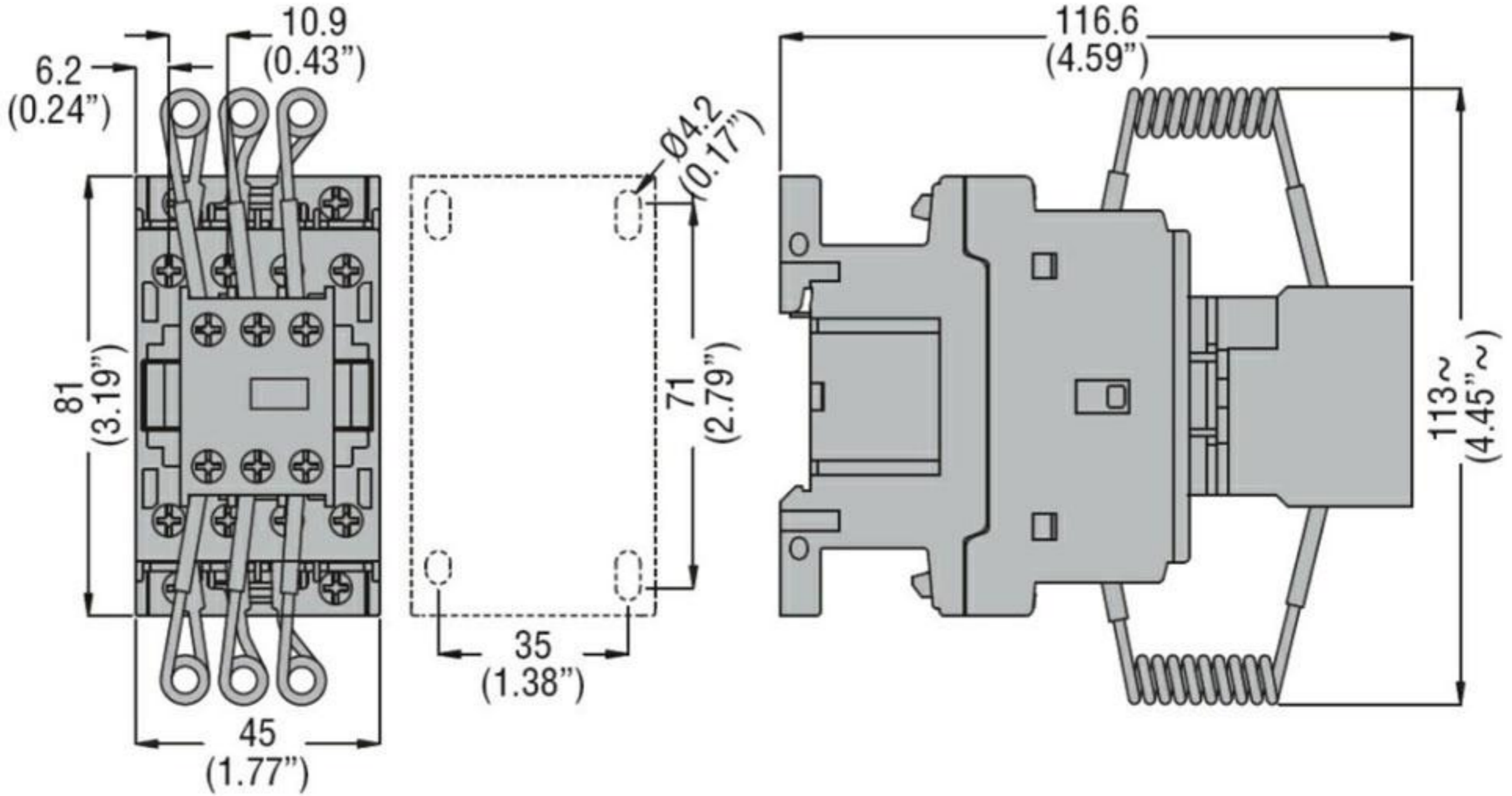
Pollution degree

3

BFK1210A230

Contacteur for power factor correction with AC control circuit, including limiting resistors, maximum IEC operational power 400V = 12.5KVAR, coil 230VAC 50/60Hz

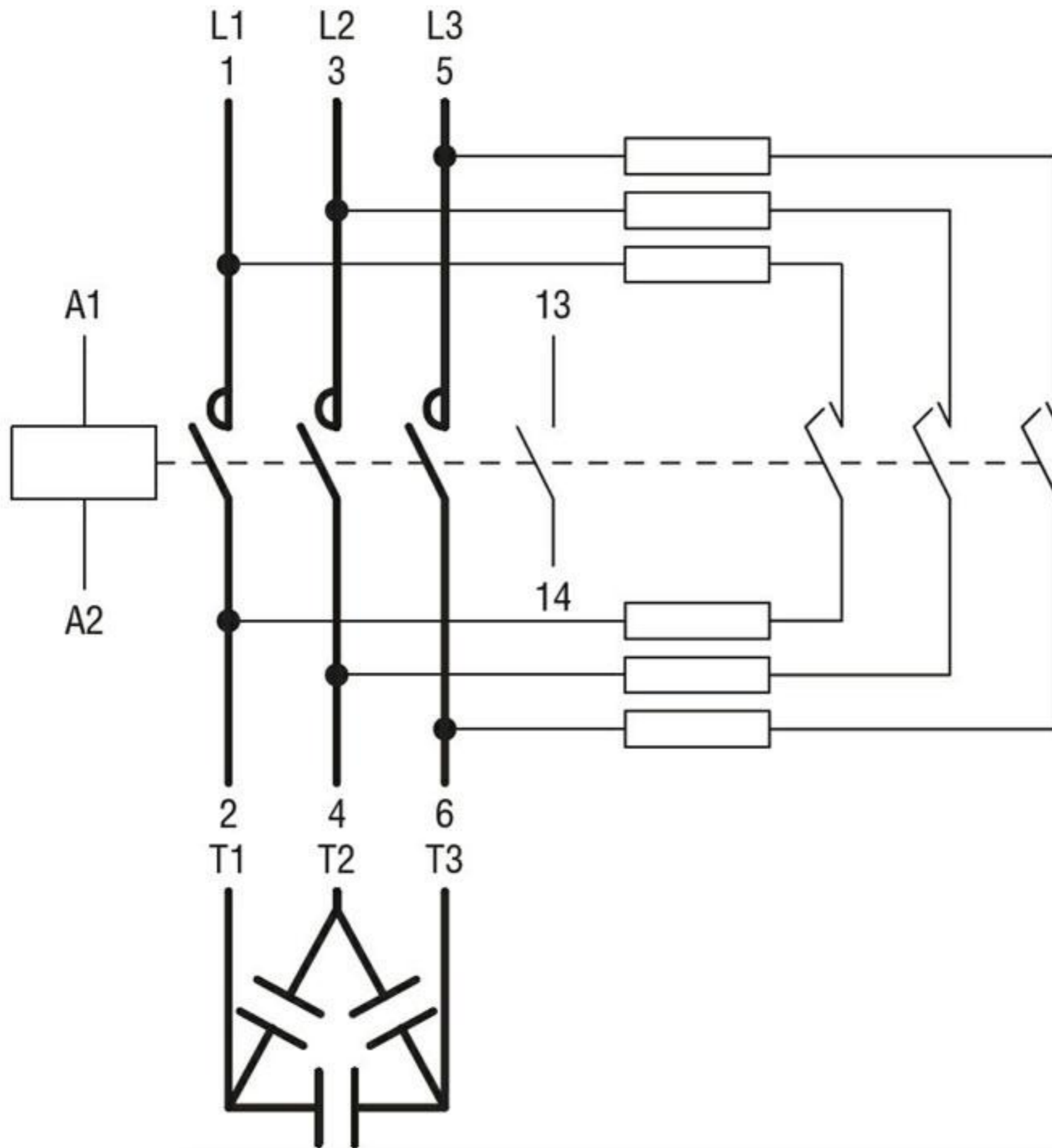
Dimensions



BFK1210A230

Contacteur for power factor correction with AC control circuit, including limiting resistors, maximum IEC operational power 400V = 12.5KVAR, coil 230VAC 50/60Hz

Wiring diagrams



Certifications and compliance

Compliance

CSA C22.2 n° 60947-1
CSA C22.2 n° 60947-4-1
IEC/EN 60947-1
IEC/EN 60947-4-1
UL 60947-1
UL 60947-4-1

Certificates

CCC
cULus
EAC

ETIM classification

ETIM 8.0

EC001079 -
Capacitor
contactor



شرکت مبنای تجهیزات تابلو (سهامی خاص)

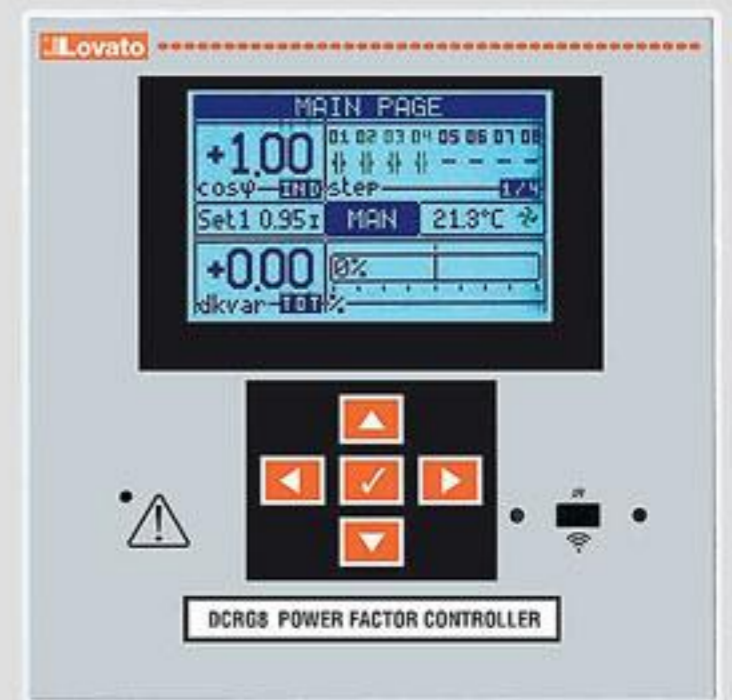
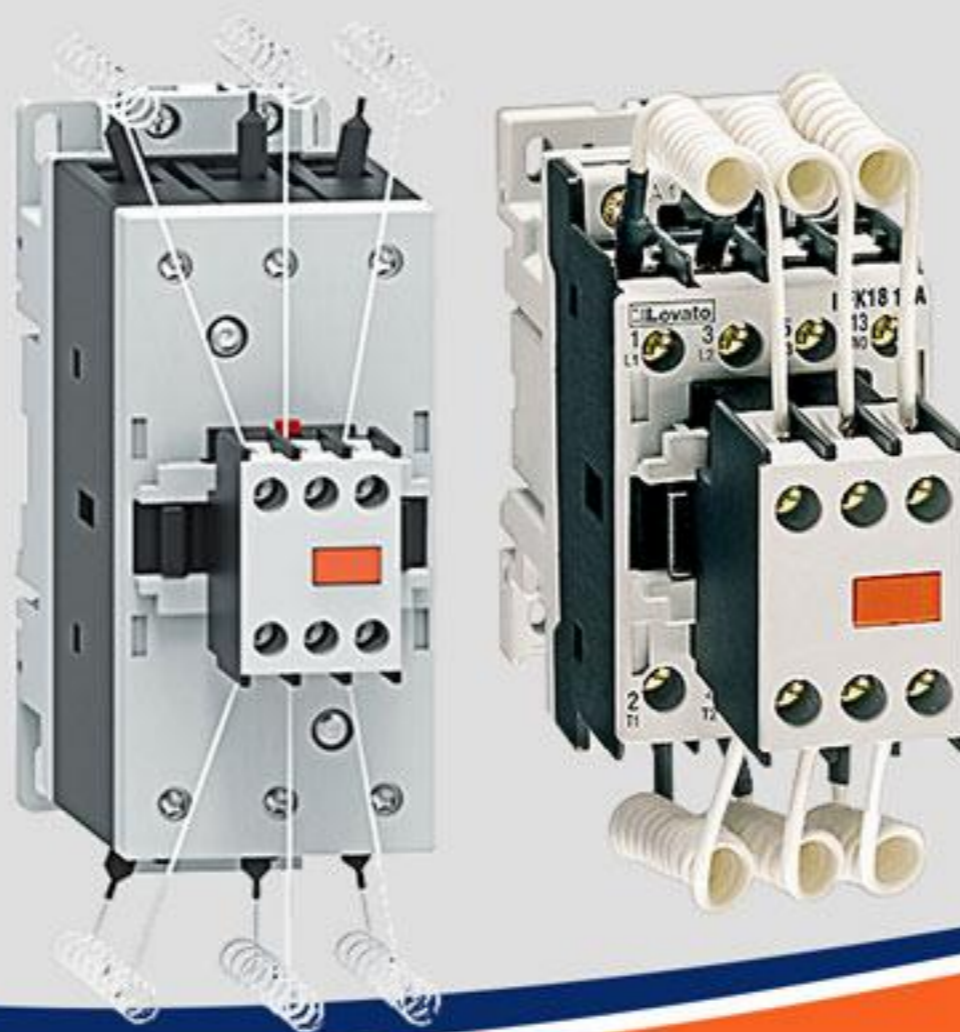
Mabna Tajhiz Tableau Co. (MTT Co.)

نماینده رسمی و انحصاری **Lovato** در ایران

Lovato

electric

ENERGY AND AUTOMATION



www.MTTIran.com



info@Mttiran.com

021-88366081-2 & 88583128



021-88583154



تهران، شهرک غرب، انتهای بلوار دادمان، روبروی پژوهشگاه نیرو، خیابان گل افشان شمالی، کوچه یکم، پلاک ۱، واحد ۷

