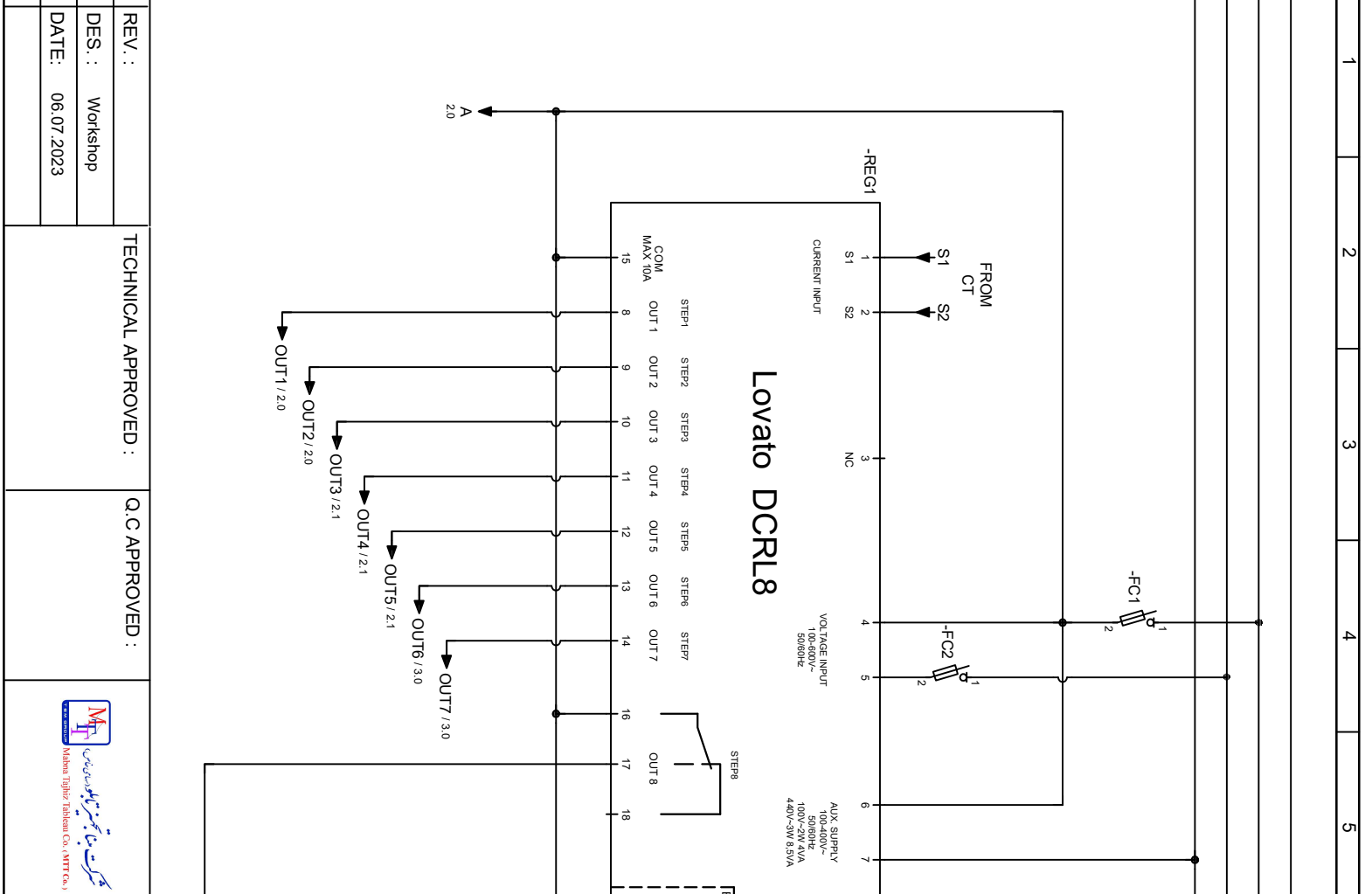
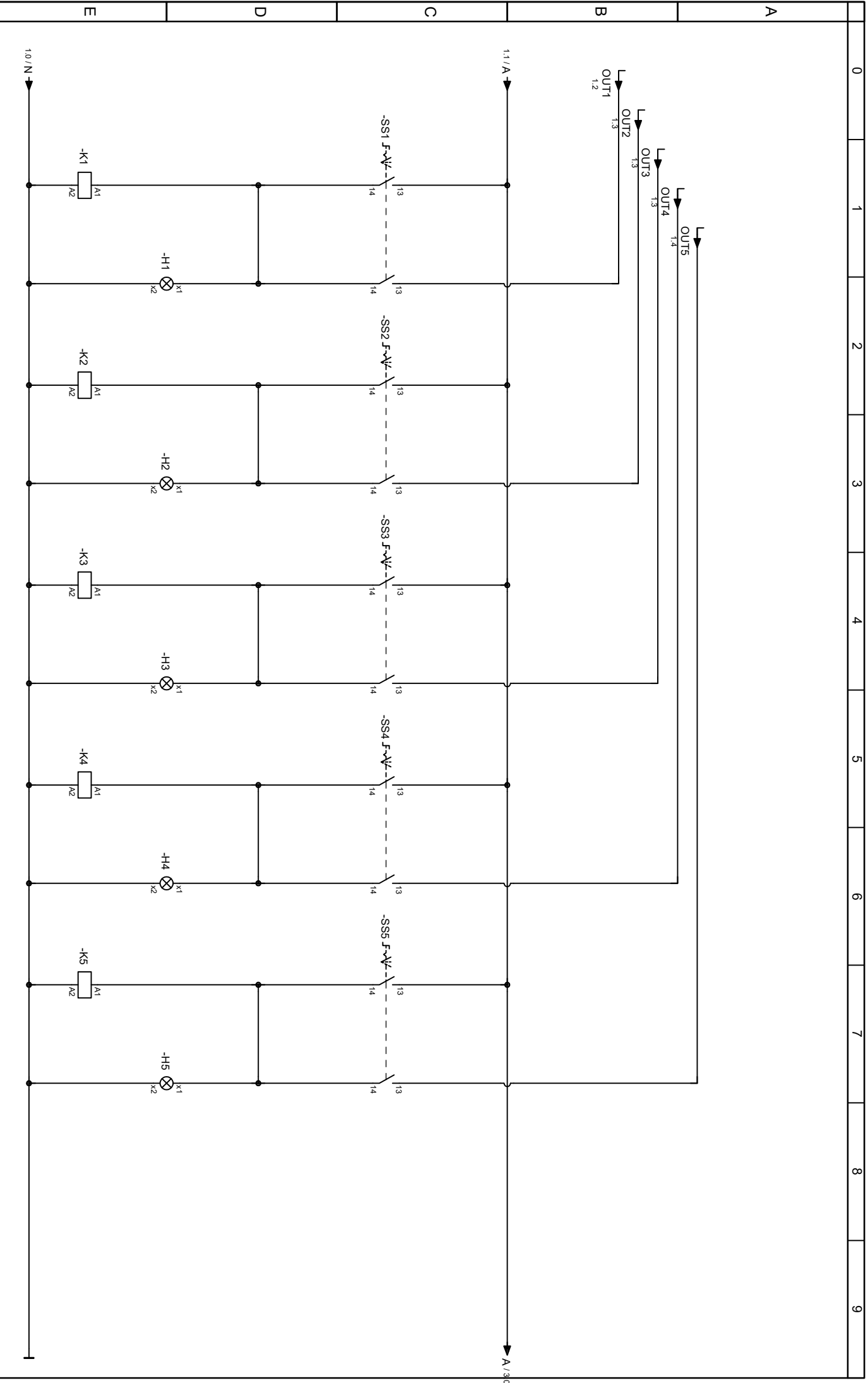


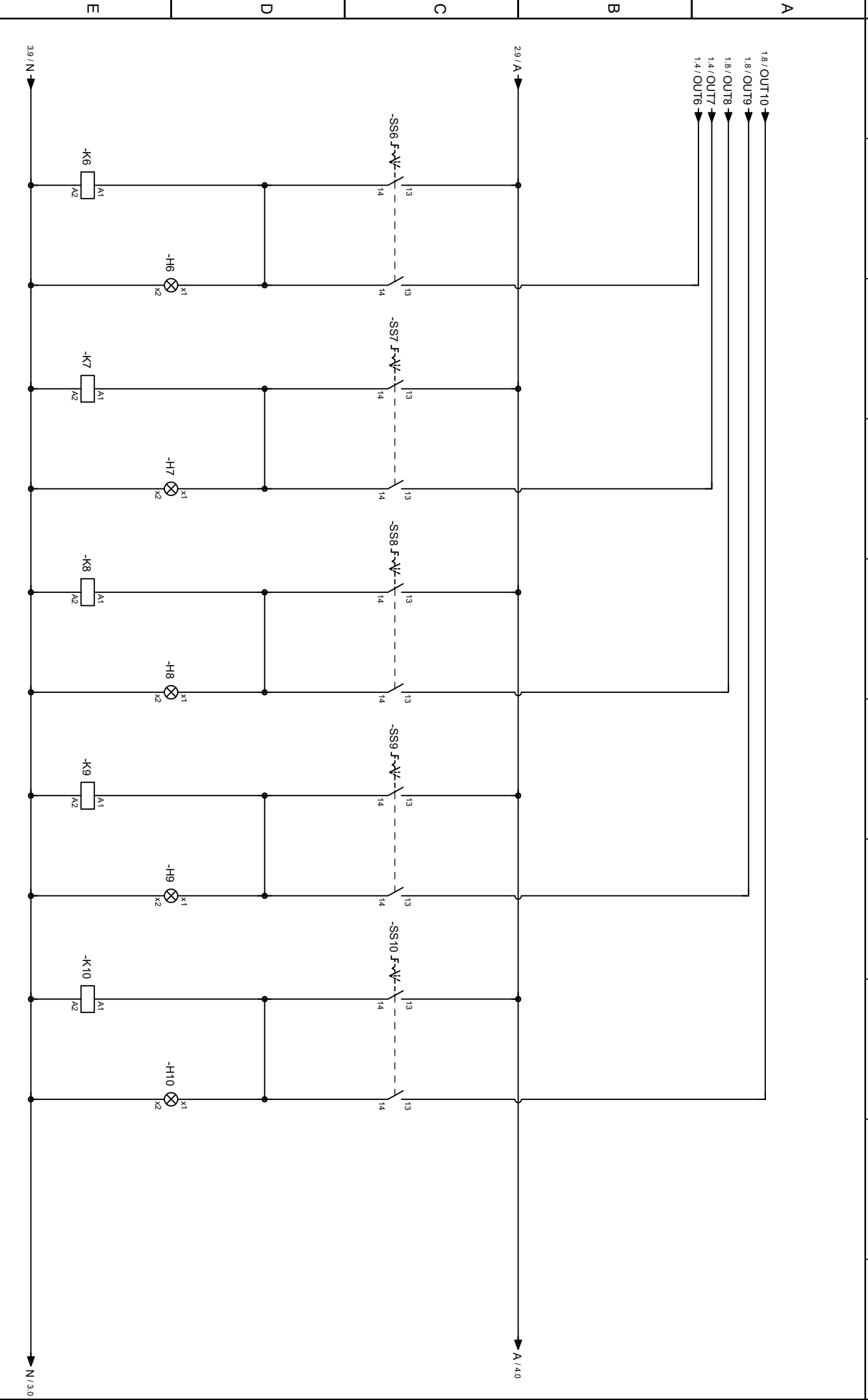
DESIGNED: B.Asgari	REV.:	TECHNICAL APPROVED:	Q.C APPROVED:
DRAWN: A.Shekofte	DES.: Workshop		
CHECKED: B.Moghadasin	DATE: 06.07.2023		
APPROVED: A.Jafari			




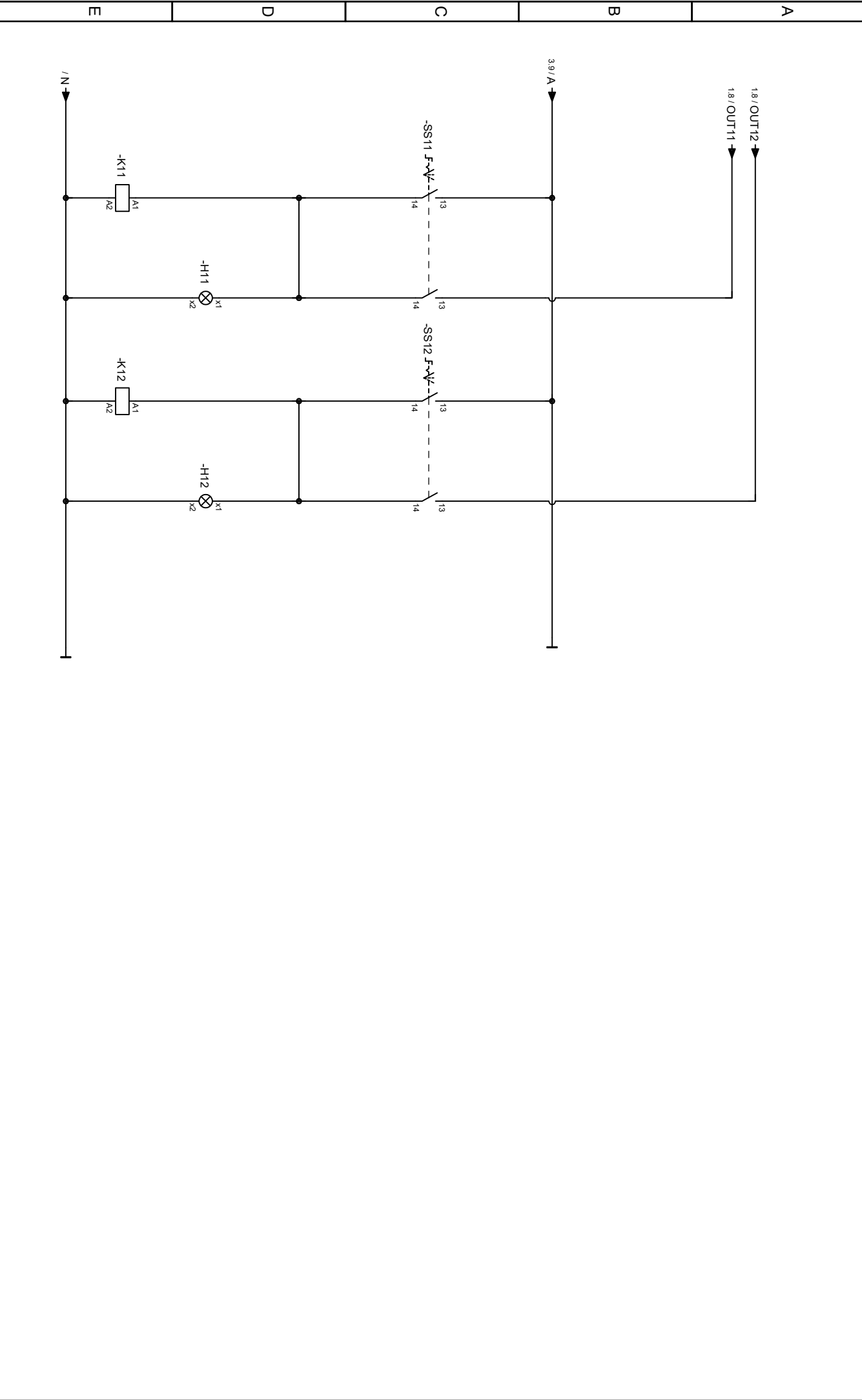
TITLE:	IP:	54	PROJECT No. : LOVATO
PANEL NAME: LOVATO.00	RAL:	7032	SERIAL No. : 18508
PANEL TYPE: Surface Wall Mounted	INLET:	Bottom	QUANTITY : 1
DIMENSION (WxHxD): As per Drawing	OUTLET:	Bottom	SHEET No. : 1 / 4



DESIGNED: B.Asgari	REV. :	TECHNICAL APPROVED :	Q.C APPROVED :	TITLE:		IP:	54	PROJECT No. : LOVATO
DRAWN: A.Shekofte	DES. : Workshop			PANEL NAME: LOVATO.00	RAL:	7032	SERIAL No. : 18508	
CHECKED: B.Moghadasin	DATE: 06.07.2023			PANEL TYPE: Surface Wall Mounted	INLET:	Bottom	QUANTITY : 1	
APPROVED: A.Jafari				DIMENSION (WXHXD): As per Drawing	OUTLET:	Bottom	SHEET No. : 2 / 4	



DESIGNED: B.Asgari	REV.:	TECHNICAL APPROVED:	Q.C APPROVED:
DRAWN: A.Shakofte	DES.: Workshop		
CHECKED: B.Moghadasin	DATE: 06.07.2023		
APPROVED: A.Jafari			
TITLE:		IP:	PROJECT No.: LOVATO
PANEL NAME: LOVATO.00		RAL: 7032	SERIAL No.: 18508
PANEL TYPE: Surface Wall Mounted		INLET: Bottom	QUANTITY: 1
DIMENSION (WxHxD): As per Drawing		OUTLET: Bottom	SHEET No.: 3 / 4



DESIGNED: B.Asgari REV.: TECHNICAL APPROVED: Q.C APPROVED:

DRAWN: A.Shekofte DES.: Workshop

CHECKED: B.Moghadasin DATE: 06.07.2023

APPROVED: A.Jafari

TITLE:

PANEL NAME: LOVATO.00

PANEL TYPE: Surface Wall Mounted

DIMENSION (WxHxD): As per Drawing

IP: 54

RAL: 7032

INLET: Bottom

OUTLET: Bottom

PROJECT No.: LOVATO

SERIAL No.: 18508

QUANTITY: 1

SHEET No.: 4 / 4

