



## BFK3800A230

Contactor for power factor correction with AC control circuit, including limiting resistors, maximum IEC operational power 400V = 30KVAR, coil 230VAC 50/60Hz

Product designation

Power contactor

Product type designation

BFK38

### Contact characteristics

Number of poles		Nr.	3
Rated insulation voltage $U_i$ IEC/EN		V	690
Rated impulse withstand voltage $U_{imp}$		kV	6
Operational frequency	min	Hz	25
	max	Hz	400
IEC Conventional free air thermal current $I_{th}$		A	56
Rated operational power AC-6b ( $T \leq 40^\circ C$ )	230V	kvar	17
	400V	kvar	30
	440...480V	kvar	33
	690V	kvar	36
Short-time allowable current for 10s (IEC/EN60947-1)		A	320
Protection fuse		A	63
	gG (IEC)	A	63
Making capacity (RMS value)		A	380
Breaking capacity at voltage	440V	A	304
	500V	A	240
	690V	A	192
Resistance per pole (average value)		m $\Omega$	2
Power dissipation per pole (average value)	$I_{th}$	W	6
Tightening torque for terminals	min	Nm	2.5
	max	Nm	3
	min	Ibin	1.8
	max	Ibin	2.2
Tightening torque for coil terminal	min	Nm	0.8
	max	Nm	1
	min	Ibin	Prodotti finiti
	max	Ibin	Prodotti finiti
Max number of wires simultaneously connectable		Nr.	2
Conductor section	Flexible w/o lug conductor section		
	min	mm <sup>2</sup>	2.5
	max	mm <sup>2</sup>	16
	Flexible c/w lug conductor section		
	min	mm <sup>2</sup>	1
	max	mm <sup>2</sup>	10
	Flexible with insulated spade lug conductor section		

## BFK3800A230

Contacteur for power factor correction with AC control circuit, including limiting resistors, maximum IEC operational power 400V = 30KVAR, coil 230VAC 50/60Hz

	min	mm <sup>2</sup>	1
	max	mm <sup>2</sup>	10
Power terminal protection according to IEC/EN 60529			IP20 when wired
<b>Mechanical features</b>			
Operating position	normal allowable		Vertical plan ±30°
Fixing			Screw / DIN rail 35mm
Weight		g	400
<b>Operations</b>			
Mechanical life		cycles	20000000
Electrical life		cycles	1400000
<b>Safety related data</b>			
Performance level B10d according to EN/ISO 13489-1	rated load mechanical load	cycles	400000
		cycles	20000000
EMC compatibility			Yes
<b>AC coil operating</b>			
Rated AC voltage at 50/60Hz		V	230
AC operating voltage			
	of 50/60Hz coil powered at 50Hz		
			pick-up
	min	%Us	80
	max	%Us	110
	drop-out		
	min	%Us	20
	max	%Us	55
	of 50/60Hz coil powered at 60Hz		
			pick-up
	min	%Us	85
	max	%Us	110
	drop-out		
	min	%Us	20
	max	%Us	55
AC average coil consumption at 20°C			
	of 50/60Hz coil powered at 50Hz		
	in-rush	VA	75
	holding	VA	9
	of 50/60Hz coil powered at 60Hz		
	in-rush	VA	70
	holding	VA	7
	of 60Hz coil powered at 60Hz		
	in-rush	VA	75
	holding	VA	9
Dissipation at holding ≤20°C 50Hz		W	2.5
<b>Max cycles frequency</b>			
Mechanical operation		cycles/h	3600
<b>Operating times</b>			
Average time for Us control			
	in AC	Closing NO	
	min	ms	8
	max	ms	24

## BFK3800A230

Contacteur for power factor correction with AC control circuit, including limiting resistors, maximum IEC operational power 400V = 30KVAR, coil 230VAC 50/60Hz

Opening NO

min	ms	5
max	ms	15

Closing NC

min	ms	9
max	ms	20

### UL technical data

General USE

Contacteur

AC current	A	56
------------	---	----

### Ambient conditions

Temperature

Operating temperature

min	°C	-50
max	°C	70

Storage temperature

min	°C	-60
max	°C	80

Max altitude

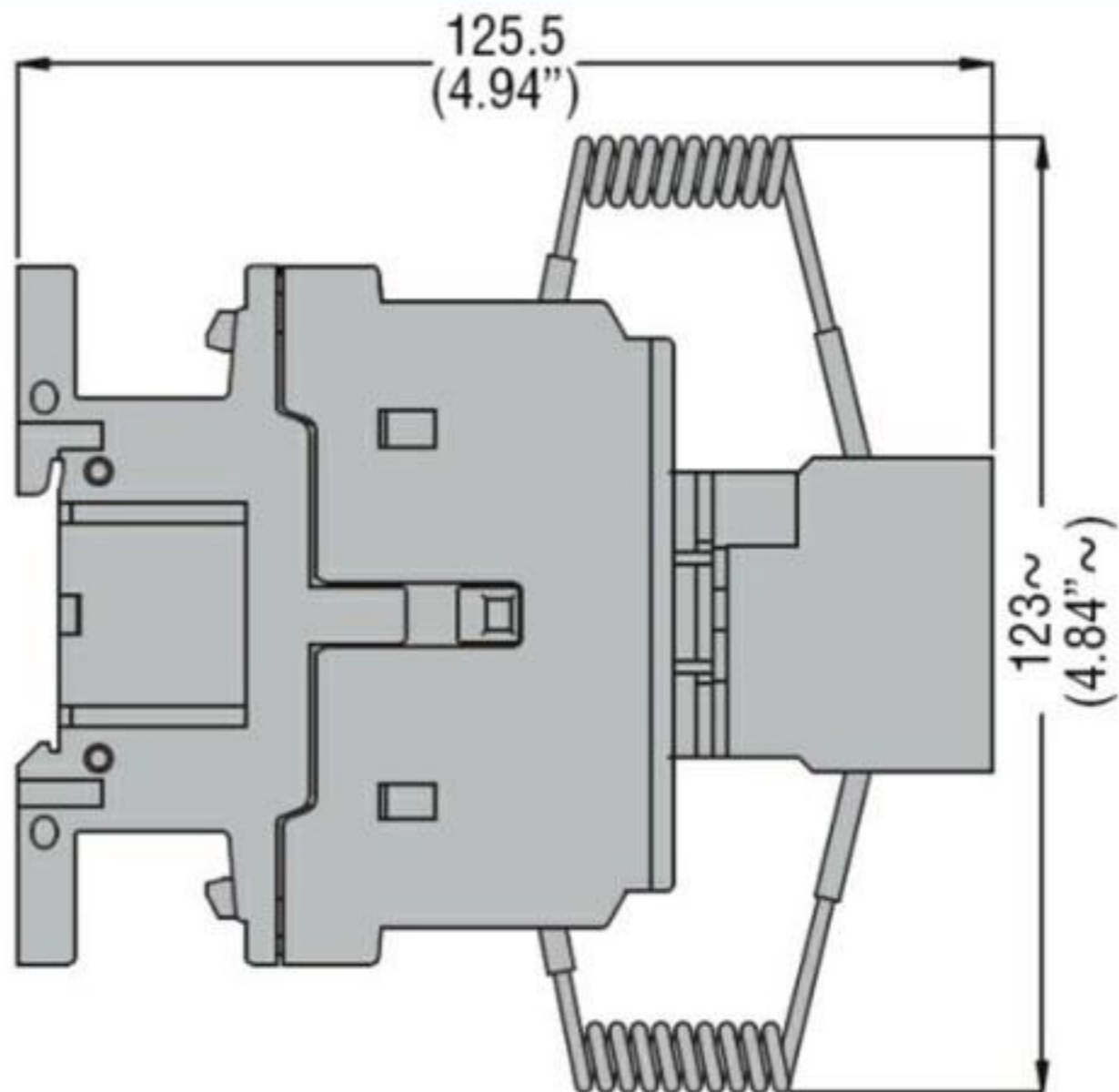
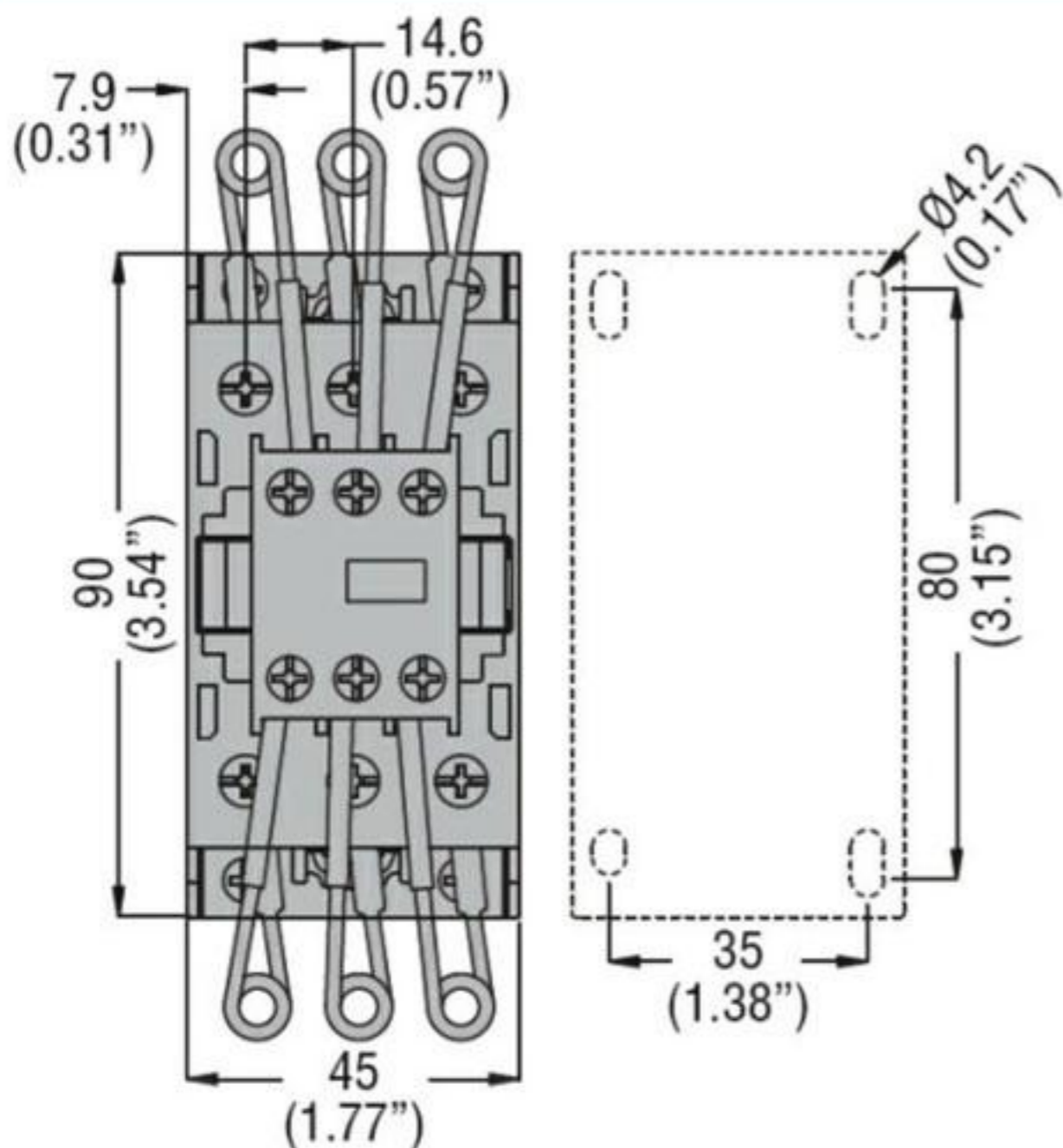
m	3000
---	------

### Resistance & Protection

Pollution degree

3

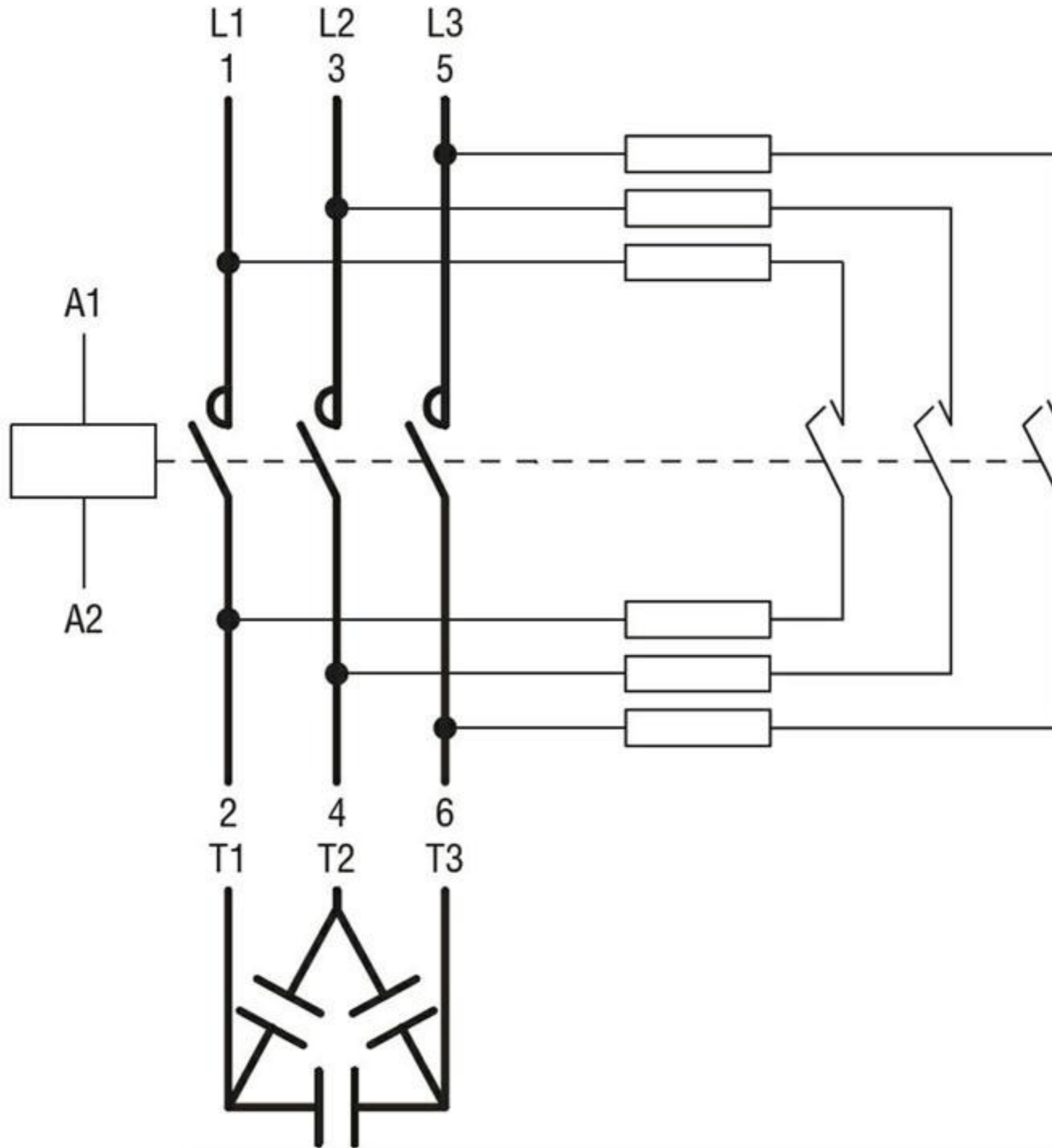
### Dimensions



## BFK3800A230

Contacteur for power factor correction with AC control circuit, including limiting resistors, maximum IEC operational power 400V = 30KVAR, coil 230VAC 50/60Hz

### Wiring diagrams



### Certifications and compliance

#### Compliance

CSA C22.2 n° 60947-1  
CSA C22.2 n° 60947-4-1  
IEC/EN 60947-1  
IEC/EN 60947-4-1  
UL 60947-1  
UL 60947-4-1

#### Certificates

CCC  
cULus  
EAC

### ETIM classification

ETIM 8.0

EC001079 -  
Capacitor  
contactor



شرکت مینا تجهیز تابلو (سهامی خاص)

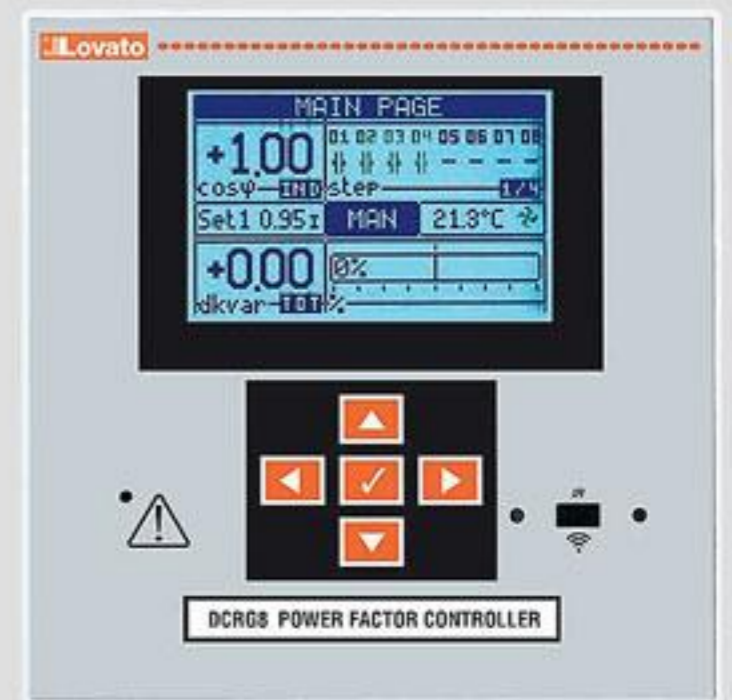
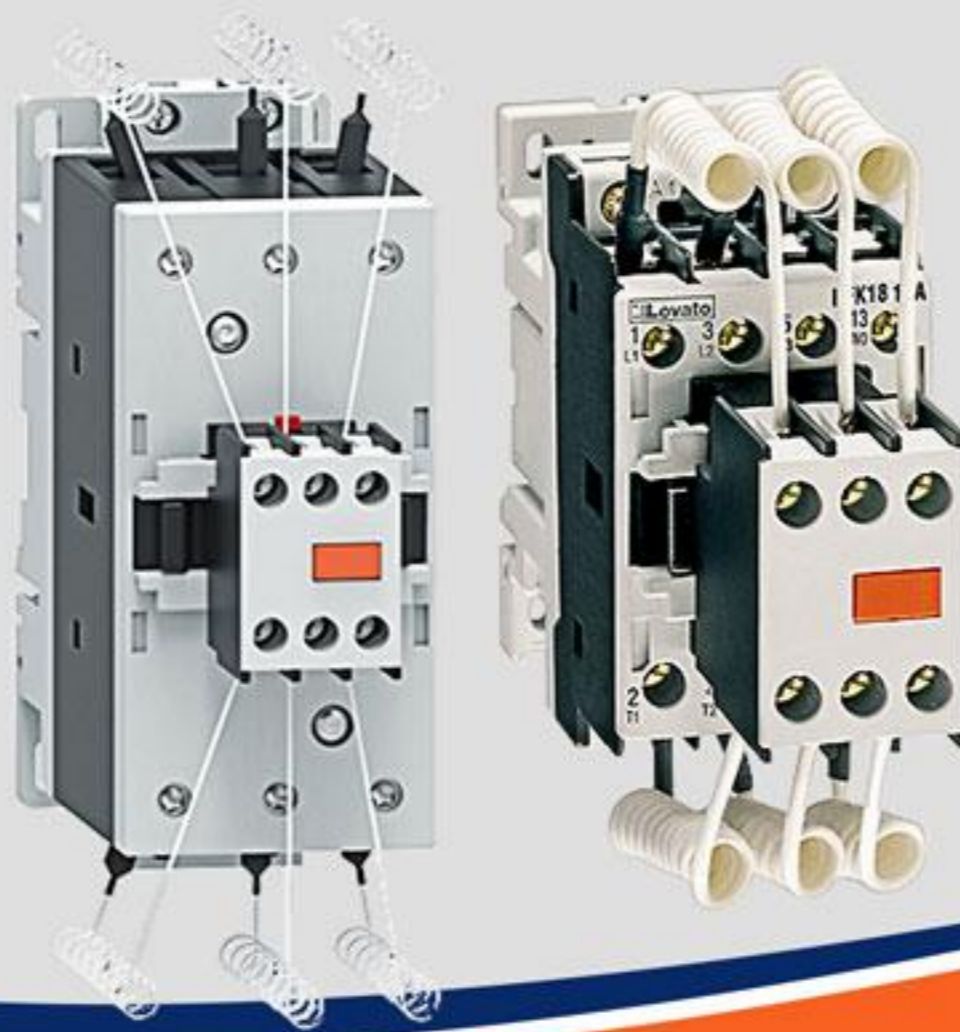
Mabna Tajhiz Tableau Co. (MTT Co.)

نماینده رسمی و انحصاری **Lovato** در ایران

# Lovato

## electric

ENERGY AND AUTOMATION



www.MTTIran.com



info@Mttiran.com

021-88366081-2 & 88583128



021-88583154



تهران، شهرک غرب، انتهای بلوار دادمان، روبروی پژوهشگاه نیرو، خیابان گل افشان شمالی، کوچه یکم، پلاک ۱، واحد ۷

