



Power contactor  
BFK80

## BFK8000A230

Contactors for power factor correction with AC control circuit, including limiting resistors, maximum IEC operational power 400V = 50KVAR, coil 230VAC 50/60Hz

Product designation

Product type designation

### Contact characteristics

Number of poles		Nr.	3
Rated insulation voltage $U_i$ IEC/EN		V	690
Rated impulse withstand voltage $U_{imp}$		kV	8
Operational frequency	min	Hz	25
	max	Hz	400
IEC Conventional free air thermal current $I_{th}$		A	115
Rated operational power AC-6b ( $T \leq 40^\circ C$ )	230V	kvar	30
	400V	kvar	50
	440...480V	kvar	56
	690V	kvar	65
Short-time allowable current for 10s (IEC/EN60947-1)		A	640
Protection fuse		gG (IEC)	A
			125
Making capacity (RMS value)		A	800
Breaking capacity at voltage	440V	A	640
	500V	A	625
	690V	A	456
Resistance per pole (average value)		m $\Omega$	0.6
Power dissipation per pole (average value)		$I_{th}$	W
			7.9
Tightening torque for terminals	min	Nm	4
	max	Nm	5
	min	$I_{bin}$	2.95
	max	$I_{bin}$	3.69
Tightening torque for coil terminal	min	Nm	0.8
	max	Nm	1
	min	$I_{bin}$	Prodotti finiti
	max	$I_{bin}$	Prodotti finiti
Max number of wires simultaneously connectable		Nr.	2
Conductor section	Flexible w/o lug conductor section		
	min	mm <sup>2</sup>	1.5
	max	mm <sup>2</sup>	35
	Flexible c/w lug conductor section		
	min	mm <sup>2</sup>	1.5
	max	mm <sup>2</sup>	35
Power terminal protection according to IEC/EN 60529			IP20 front

## BFK8000A230

Contactors for power factor correction with AC control circuit, including limiting resistors, maximum IEC operational power 400V = 50KVAR, coil 230VAC 50/60Hz

### Mechanical features

Operating position	normal allowable	Vertical plan $\pm 30^\circ$
Fixing		Screw / DIN rail 35mm
Weight	g	1090

### Operations

Mechanical life	cycles	15000000
Electrical life	cycles	400000

### Safety related data

Performance level B10d according to EN/ISO 13489-1	rated load mechanical load	cycles	400000
		cycles	15000000

EMC compatibility

Yes

### AC coil operating

Rated AC voltage at 50/60Hz	V	230
-----------------------------	---	-----

AC operating voltage

of 50/60Hz coil powered at 50Hz	pick-up	min	%Us	80
		max	%Us	110
drop-out	min	%Us	20	
	max	%Us	55	
of 50/60Hz coil powered at 60Hz	pick-up	min	%Us	85
		max	%Us	110
drop-out	min	%Us	20	
	max	%Us	55	

AC average coil consumption at 20°C

of 50/60Hz coil powered at 50Hz	in-rush	VA	210
	holding	VA	15
of 50/60Hz coil powered at 60Hz	in-rush	VA	195
	holding	VA	13
of 60Hz coil powered at 60Hz	in-rush	VA	210
	holding	VA	15

Dissipation at holding  $\leq 20^\circ\text{C}$  50Hz

W 5

### Max cycles frequency

Mechanical operation	cycles/h	3600
----------------------	----------	------

### Operating times

Average time for Us control in AC	Closing NO	min	ms	12
		max	ms	28
	Opening NO	min	ms	8
		max	ms	22

## BFK8000A230

Contactor for power factor correction with AC control circuit, including limiting resistors, maximum IEC operational power 400V = 50KVAR, coil 230VAC 50/60Hz

in DC

Closing NO

min	ms	40
max	ms	85

Opening NO

min	ms	20
max	ms	55

### UL technical data

General USE

Contactor

AC current	A	115
------------	---	-----

### Ambient conditions

Temperature

Operating temperature

min	°C	-50
max	°C	70

Storage temperature

min	°C	-60
max	°C	80

Max altitude

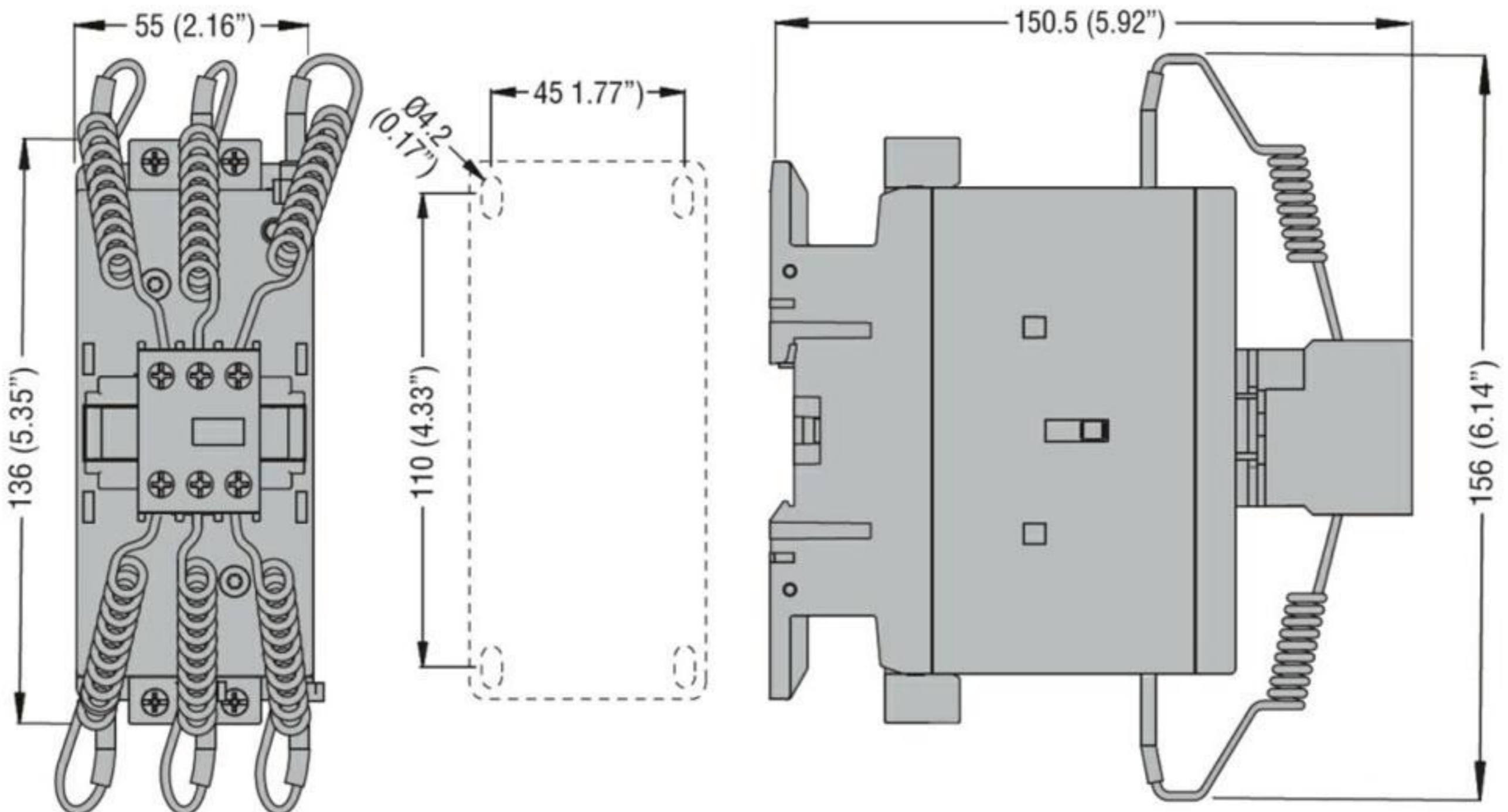
m	3000
---	------

### Resistance & Protection

Pollution degree

3

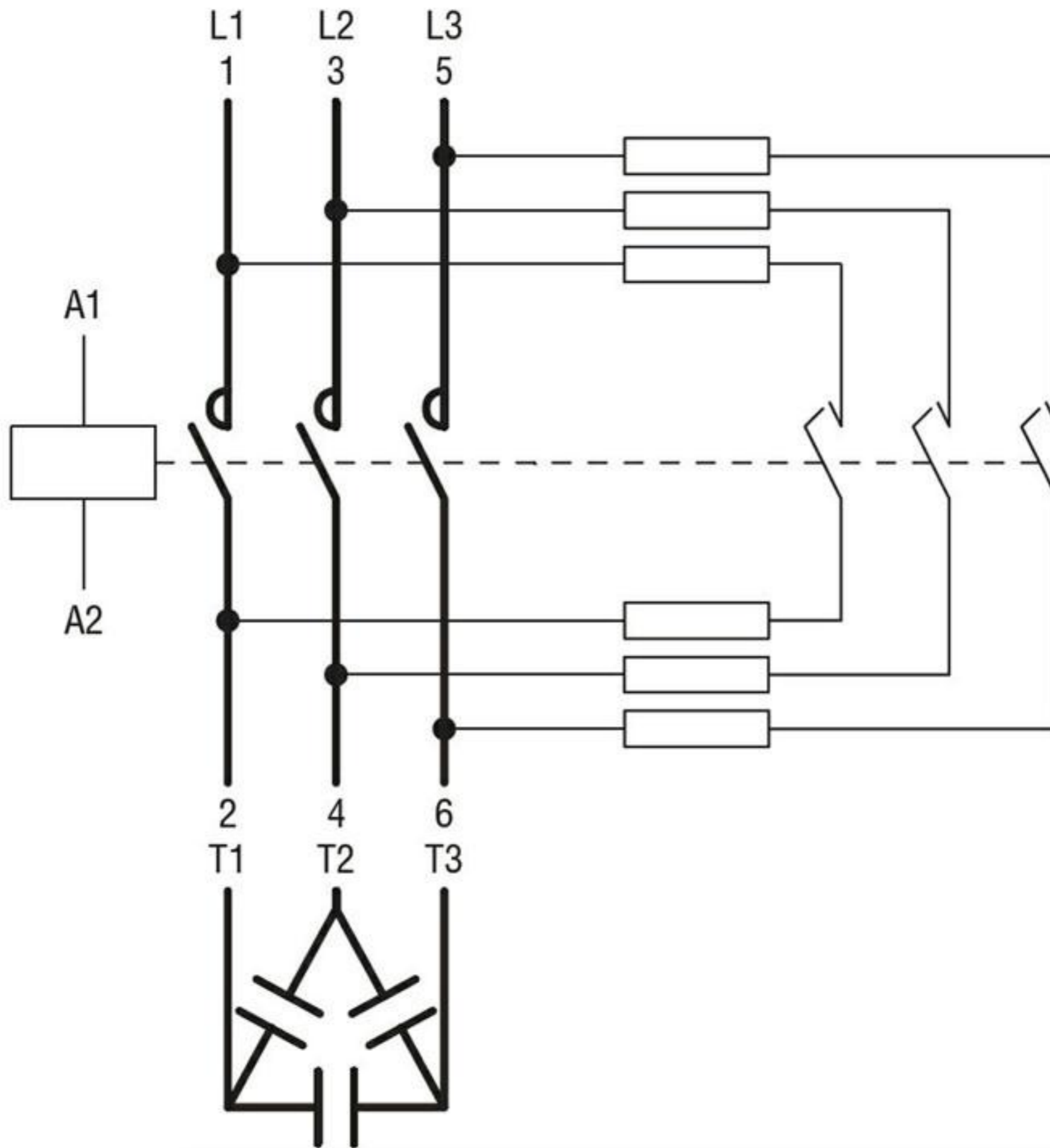
### Dimensions



## BFK8000A230

Contacteur for power factor correction with AC control circuit, including limiting resistors, maximum IEC operational power 400V = 50KVAR, coil 230VAC 50/60Hz

### Wiring diagrams



### Certifications and compliance

#### Compliance

CSA C22.2 n° 60947-1  
CSA C22.2 n° 60947-4-1  
IEC/EN 60947-1  
IEC/EN 60947-4-1  
UL 60947-1  
UL 60947-4-1

#### Certificates

CCC  
cULus

### ETIM classification

ETIM 8.0

EC001079 -  
Capacitor  
contactor



شرکت مبنای تجهیزات تابلو (سهامی خاص)

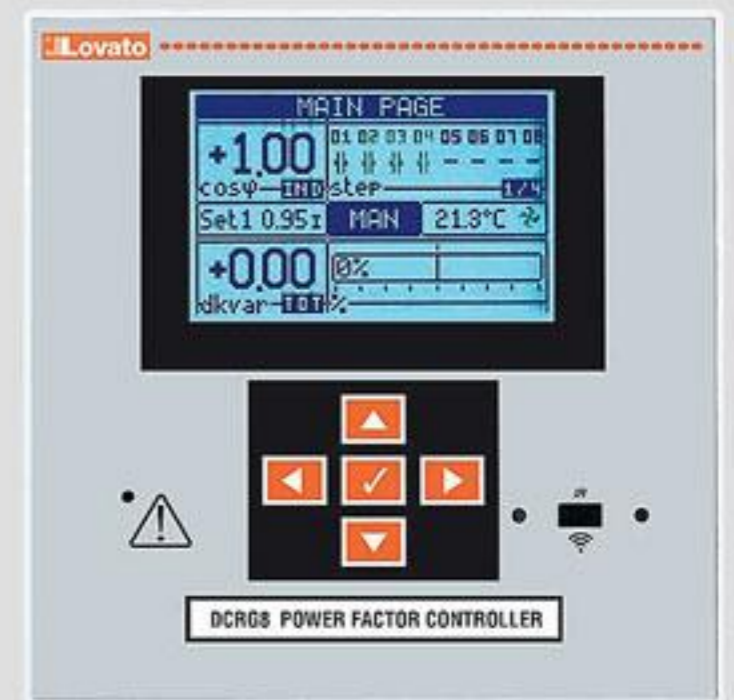
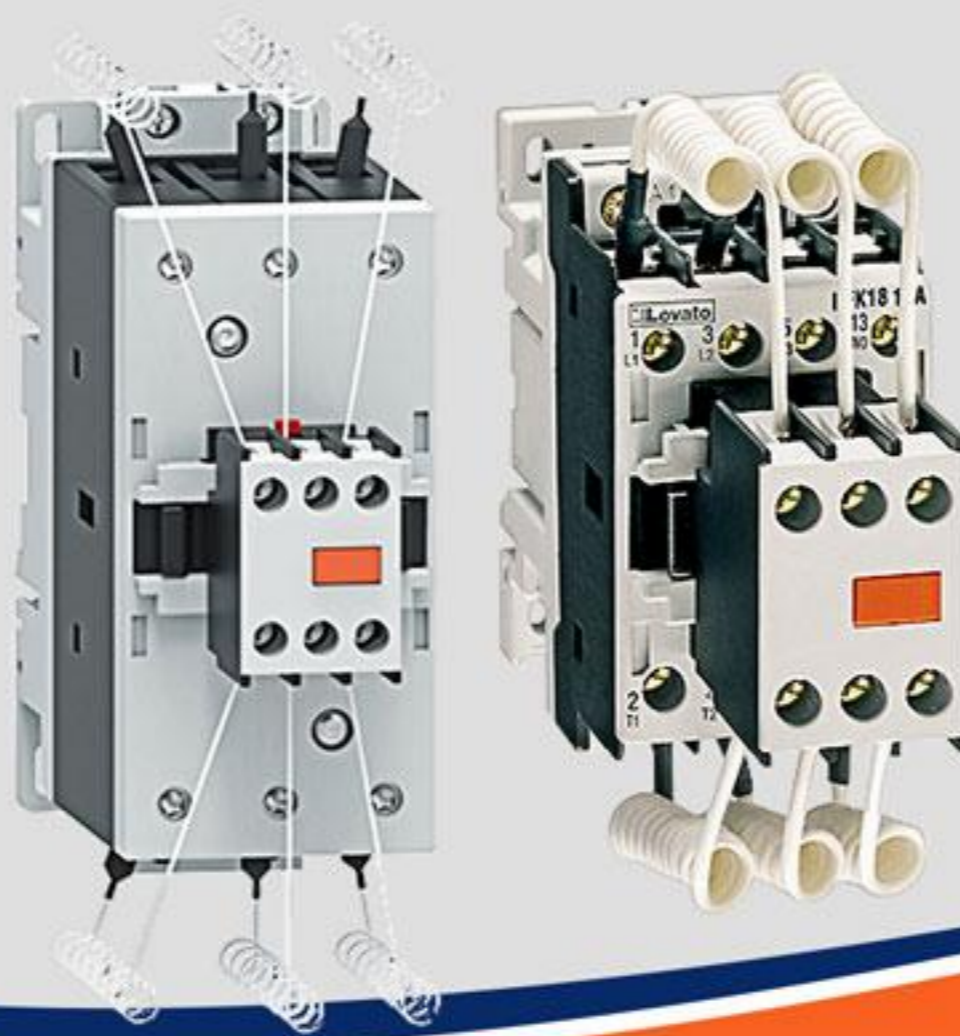
Mabna Tajhiz Tableau Co. (MTT Co.)

نماینده رسمی و انحصاری **Lovato** در ایران

# Lovato

## electric

ENERGY AND AUTOMATION



www.MTTIran.com



info@Mttiran.com

021-88366081-2 & 88583128



021-88583154



تهران، شهرک غرب، انتهای بلوار دادمان، روبروی پژوهشگاه نیرو، خیابان گل افشان شمالی، کوچه یکم، پلاک ۱، واحد ۷

